



The S43 portable inflatable outdoor screen is a simple to rig, flexible front and rear projection surface suitable for projection and advertising uses. Easily handled by one or two people, this quick to rig screen provides an economical and yet impressive solution for outdoor presentations

- Weighs only 35kg
- Runs off a 13A outlet
- Available in RED GREEN BLUE or BLACK frames
- Available with or without screen surface
- Supplied as standard with bag, blower, guy ropes, anchoring pegs and repair kit
- Less susceptible to wind than any other inflatable screen
- Quick deflate for extra safety
- Long life, light weight nylon frame
- Options of second blower, PVC surfaces, sound and projection kits

Applications include;

- Drive in movies
- Outdoor video screenings
- Video gaming
- Karaoke
- Projected advertising
- Gaming
- Sporting events
- Information projection

Also available with custom printed graphics for static advertising and information..

Future Projections Ltd

Unit 2 The Windsor Centre, Windsor Grove London SE27 9NT, England.
Tel (+44) 020 87667100, Fax (+44) 020 87667090,
email: sales@fproj.com.

Registered in the United Kingdom #3797445. Copyright 2005 Future Projections Ltd

www.fproj.com

Introduction

The S43 is a lightweight, transportable outdoor screen suitable for projection and static advertising display.

Applications include;

- Drive in movies
- Outdoor video screenings
- Video gaming
- Karaoke
- Projected advertising
- Gaming
- Sporting events
- Information projection

Features include;

- Lightweight
- Simple to erect
- Most resistant to wind
- Easily transportable
- Single phase low current power supply
- Supplied complete with guy ropes, blower, patch kit, bag, pegs etc
- Suitable for rear or front projection

Made from nylon, the screen is the lightest in it's class.

Optional items include;

- PVC perforated or matt screen surfaces
- Custom graphical advertising surface (replaces screen surface)
- Additional blower
- Projectors, sound systems, cinema in box solutions, games, receivers

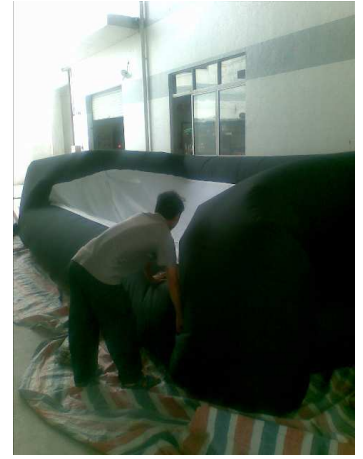
Specifications

Screen material;	Cotton weave
Frame material;	Nylon
Frame colour;	Black, blue, green, red
Approvals;	CE, ROHSS, UL
Weight;	Screen and bag 35kg
	Blower 7kg
Screen size;	4m x 3m
Frame size;	5m x 4m approx
Power consumption;	230VAC, approximately 3A
(rated to 10A)	
Rigging points;	Top x 2, base x 2



Support

We are there to help. Our web site, www.fproj.com, contains technical notices and information which may be useful. We are available by telephone, fax or email and out of hours our switchboard number will direct you to an emergency number.

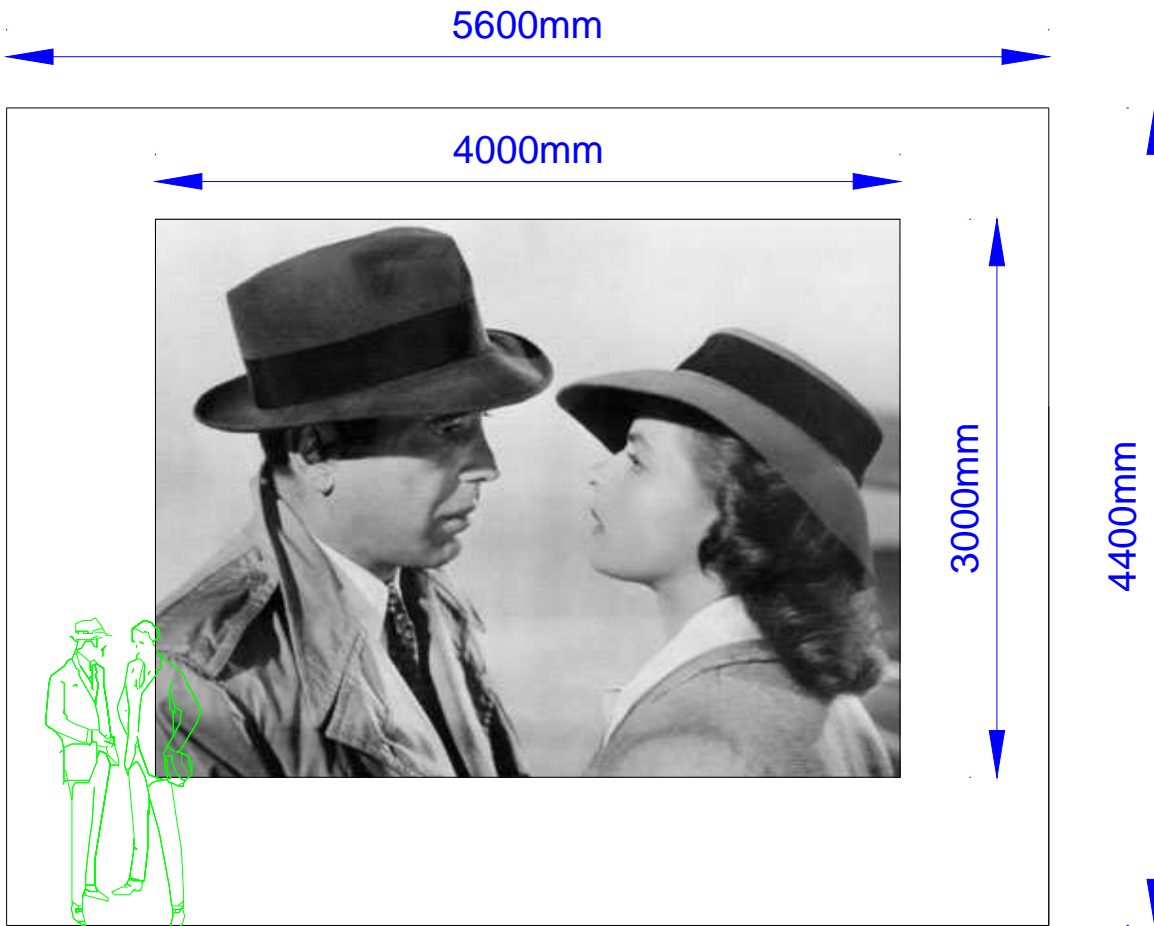


Warranty

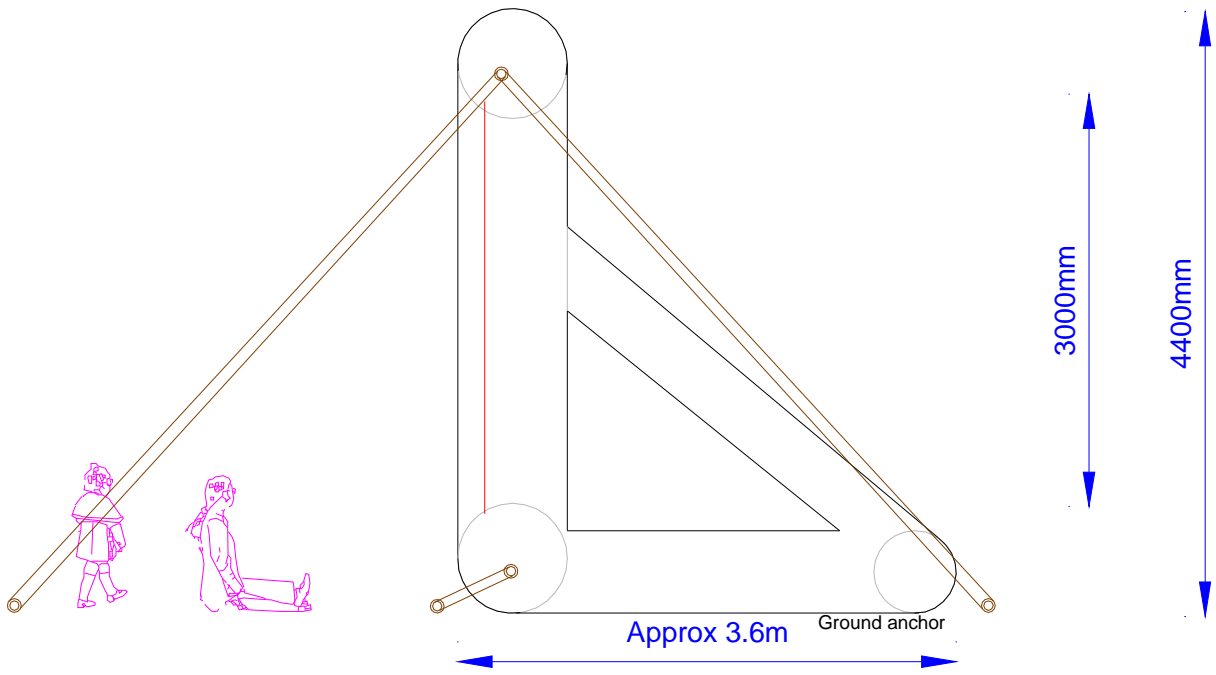
The S43 is warranted to be free from defects in manufacture for one year from the date of shipping. If a failure is suspected, please contact us and get a returns authorization – note items returned without this will be sent back. If a problem occurs during the warranty period, we will repair or replace the unit (at our option) following return and evaluation in our office. This warranty covers only equipment supplied and return of the unit via surface post. We make no warranties beyond this and limit our liability to replacement or repair of the faulty unit. Our warranty is based on the unit being installed by trained and competent persons using as instructed. It specifically excludes damage resulting from misuse, poor installation or excessive winds (see notes on installation).



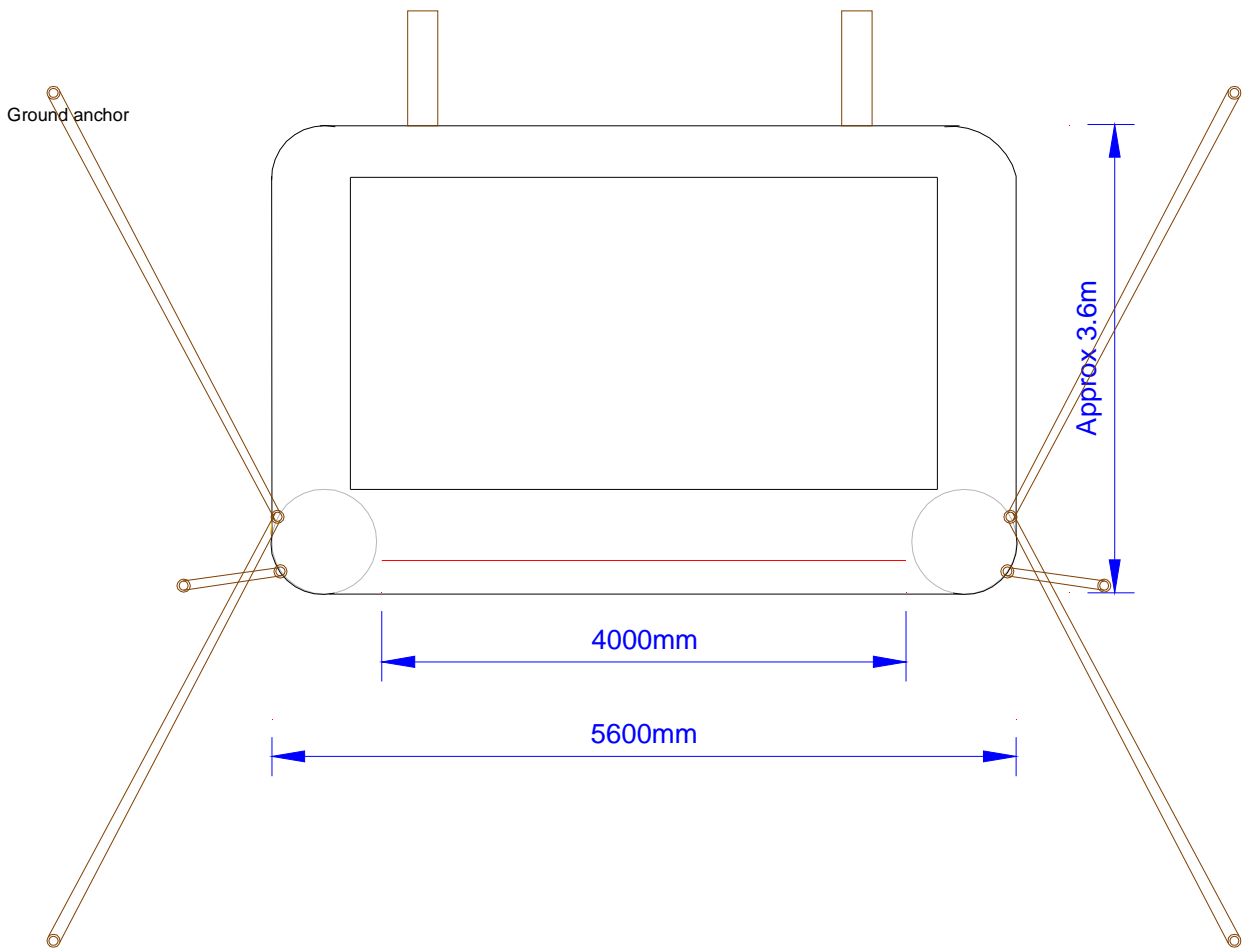
Drawings



Front
view



Side view



Plan view

Spare parts and ordering

400-001	Inflatable screen, free standing, image area 4m x 3m, BLACK frame, with white weave screen and 450W blower. Complete with ropes, carrier bag, ground pegs, patch kit. Bottom image line 600mm, 35kg + 9kg for blower. 240VAC
400-002	Inflatable screen, free standing, image area 4m x 3m, RED frame, with white weave screen and 450W blower. Complete with ropes, carrier bag, ground pegs, patch kit. Bottom image line 600mm, 35kg + 9kg for blower. 240VAC
400-003	Inflatable screen, free standing, image area 4m x 3m, GREEN frame, with white weave screen and 450W blower. Complete with ropes, carrier bag, ground pegs, patch kit. Bottom image line 600mm, 35kg + 9kg for blower. 240VAC
400-004	Inflatable screen, free standing, image area 4m x 3m, BLUE frame, with white weave screen and 450W blower. Complete with ropes, carrier bag, ground pegs, patch kit. Bottom image line 600mm, 35kg + 9kg for blower. 240VAC
400-010	Inflatable frame, free standing, image area 4m x 3m, BLACK frame, shipped without screen surface, 450W blower. Complete with ropes, carrier bag, ground pegs, patch kit. Bottom image line 600mm, 35kg + 9kg for blower. 240VAC
400-011	Inflatable frame, free standing, image area 4m x 3m, RED frame, shipped without screen surface, 450W blower. Complete with ropes, carrier bag, ground pegs, patch kit. Bottom image line 600mm, 35kg + 9kg for blower. 240VAC
400-012	Inflatable frame, free standing, image area 4m x 3m, GREEN frame, shipped without screen surface, 450W blower. Complete with ropes, carrier bag, ground pegs, patch kit. Bottom image line 600mm, 35kg + 9kg for blower. 240VAC
400-013	Inflatable frame, free standing, image area 4m x 3m, BLUE frame, shipped without screen surface, 450W blower. Complete with ropes, carrier bag, ground pegs, patch kit. Bottom image line 600mm, 35kg + 9kg for blower. 240VAC
400-020	4M x 3M cotton weave screen surface
400-021	4M x 3M custom printed advertising banner (custom pricing)
400-022	Spare blower for 4m x 3m screen, 450W CE
400-023	Spare peg for 4m x 3m screen
400-050	Set of letters / velcro banner for daytime advertising