



## 4Konnect 4K-909

Flexible and cost effective HDMI extender for distances up to 100m of standard CAT5e-8 cable



The **4K-909** is a transmitter and receiver pair designed to extend HDMI, DVI or DisplayPort, together with reverse IR, Ethernet and bidirectional RS232 signals over a single twisted pair CAT 5e-8 cable. The units use HDbaseT technology to extend 12 bit Deep Colour 3D, 4K and 2K resolutions together with 1080p @60Hz

### Extend HDMI, DVI or DisplayPort IR, Ethernet and RS232 over a single 100m of CAT 5e-8 cable

Wide band Infra-Red via external adapters (SM-EYER & SM-LED) and RS232 signals are extended through the same CAT 5e-8 cable together with 48V DC inline power up to 100m of cable. Dual 100BaseT Ethernet ports are available at both the transmitter **4K-TX909** and receiver **4K-RX909** units with a choice of POE.

Each box includes fixing brackets facilitate ease of installation and multiple units can fit side by side on a 1U 19" rack shelf.

The 4K-900 range from Smart-e provides a flexible and cost effective solution for point to point transmission for a single source to a single display



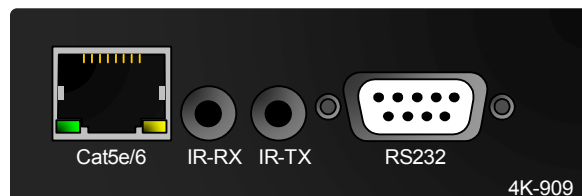
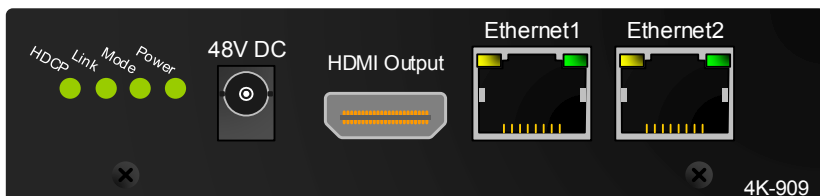
### The Smart-e 4K-909 features

- HDMI, DVI & DisplayPort formats
- Deep Colour 3D, 4K and 2K
- 100m of CAT5e-8 cable
- HDCP compliant
- Wide bandwidth IR transmission
- Uses easy to install single CAT5e-8 cable
- Transparent RS232 passthrough
- Supports 1920x1200 @ 60 Hz
- Total cable distance up to 100m
- Cost effective, multi-function unit
- 19" x 1U rack kit for up to 4 x units
- Secure HDMI connector
- Locking DC connector
- High ground loop immunity
- Inline power (POH)
- Fixing brackets
- Dual Ethernet ports

\*CAT 5e-8 refers to Category 5e, 6, 7 and 8 UTP structured cabling



## 4K-909 Specification



### Video

Signal Types	HDMI, DVI, DisplayPort Multimode
Formats	HDMI w/Deep Color 3D, 4K, 2K
Content Protection	HDCP V1.2
Connector	HDMI Type A Female
Cable Types	CAT 5e, CAT 6/6e, CAT 7, STP, FTP
TV resolutions PC resolutions	480, 576, 720, 1080 p & i 640x480 through to 1920x1200

### Audio

Types	Embedded audio in HDMI
Digital Formats	Dolby Digital® Plus Dolby® TrueHD DTS-HD High Res DTS-HD Master Audio™, up to 8chPCM
Digital Connector	HDMI

### CAT 5 signals

Pair 1	HDBaseT pair 1
Pair 2	HDBaseT pair 2
Pair 3	HDBaseT pair 3
Pair 4	HDBaseT pair 4

### Power

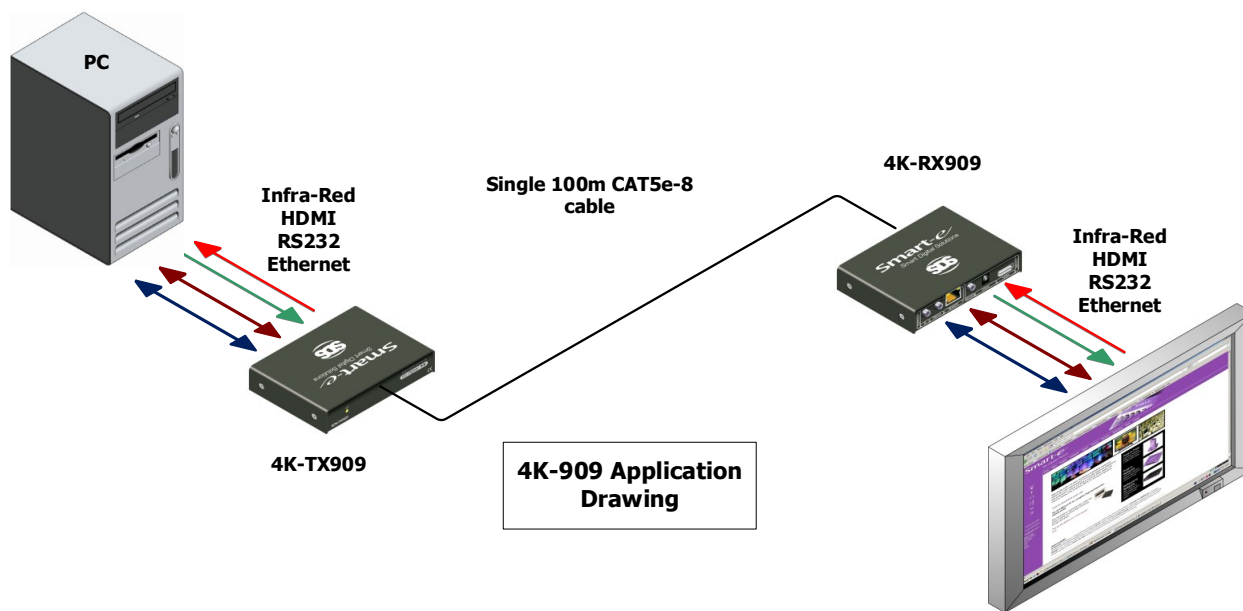
Voltage	48V DC
Connector	2.1mm DC jack
Max. current	200mA per unit
Power	5Watts

### Dimensions

Height	22mm
Width	77mm
Depth	130mm
Weight	100g

### Control

IR signal	30-500kHz
Ethernet	100BaseT
RS232 pass-through	<115Kbaud
CEC	Yes



**4K-909 Application Drawing**