

# TECHNOARC

## Features:

- High efficiency 13,000 Lumens Beam & 12,000 Lumens Wash
- 575w mini-fast fit lamp - 750 hrs.
- Fast 3:1 zoom - 8°-32°
- Hard Edge 6° collimated beam
- CMY color mixing
- Color wheel with eight replaceable positions plus open
- Mechanical strobe
- Fast mechanical iris
- Unique Indigo Highlighter LED Output
- Color LCD menu with battery operation
- Low ambient noise
- RDM compatible
- Included roadcase

## Operation:

- Auto-switching power supply 100v-240v
- 21 DMX channels
- DMX/RDM connectors: 5-pin XLR, 3-pin XLR

## Construction:

- High resolution microstepping motor control for smooth motion at all speeds
- Stunningly fast, smooth, and quiet yoke movement
- Computer designed optical components for maximum light efficiency
- Performance-oriented exterior design prevents stray light scatter

Low noise, high efficiency cooling system

3-pin and 5-pin XLR connectors

## Mechanical Specifications:

Electronic cooling system control

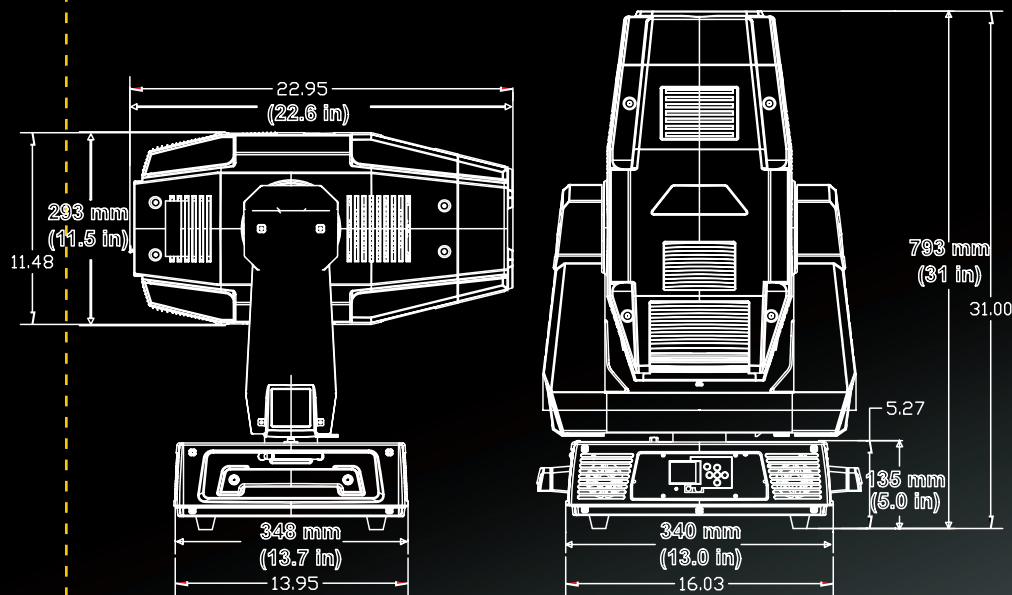
Pan and tilt locks for easy transportation

ETL/UL and CE compliance

Fixture Dimensions:  
mm: 483 x 348 x 793  
in: 19 x 13.7 x 31

Fixture Weight:  
34 kg  
76 lbs

Specifications Subject to change without notice. One year product warranty and technical support. High End Systems products are protected by one or more patents listed below and/or subject to one or more pending patents. For patent information please go to [www.highend.com/patents.asp](http://www.highend.com/patents.asp)



brilliantly designed by

**HIGH END SYSTEMS**



[www.highend.com](http://www.highend.com)

Log on and get to know TechnoArc.

## A Better Lighting Experience with TechnoArc

TechnoArc offers designers and operators a versatile, fully integrated system with unprecedented brightness, speed and accuracy for a light of its kind.



- HIGH EFFICIENCY 13K LUMENS BEAM
- HIGH EFFICIENCY 12K LUMENS WASH
- FAST 3:1 ZOOM—8° TO 32°
- 575W MINI-FAST FIT LAMP—750 HRS.

**Designed for a wide variety of small and medium scale performance applications, TechnoArc is a compact soft-edge luminaire with exceptional value and performance. A natural companion to the Technospot, this full featured fixture is designed for club, stage, and studio applications where environmental durability and high quality output are required.**

# ARC OF TRIUMPH

## Introducing the TechnoArc Fixture — A Triumph of Technology

TechnoArc features smooth CMY color mixing and a fixed color wheel. Following the professional lighting, large exiting aperture trend, TechnoArc features a prominent 6.5 inch lens, 8° to 32° zoom, and over 13,000 lumens of output.



## Indigo Highlighter

TechnoArc also features the indigo highlighter which provides additional light output from four 1-watt indigo LEDs, thus increasing the layering abilities of the large aperture fixture.



## Strong Light Output and Variable Beam Options

A smooth field, soft-edge illumination is produced using a patented radial lenticular homogenizing lens system that provides a signature look on stage. A stunning collimated 5° beam of hard-edge light is possible when bypassing the radial lenticular lens. A mechanical iris provides even narrower beams for incredibly thin shafts of output.

